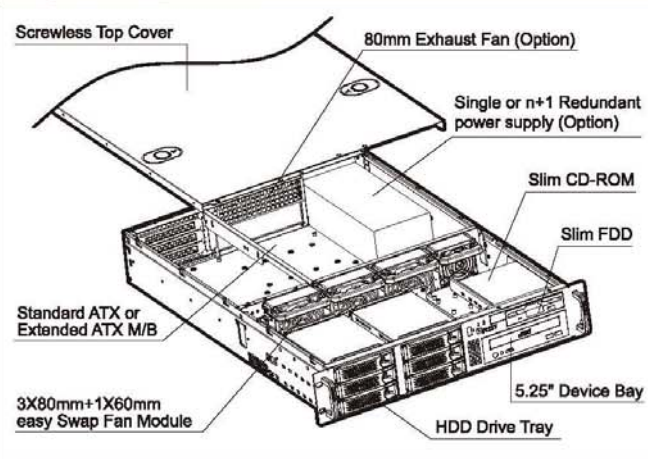
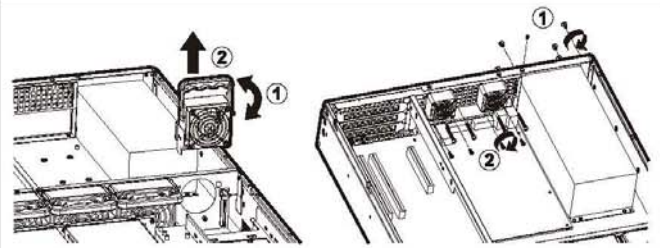


Chassis Quick Reference

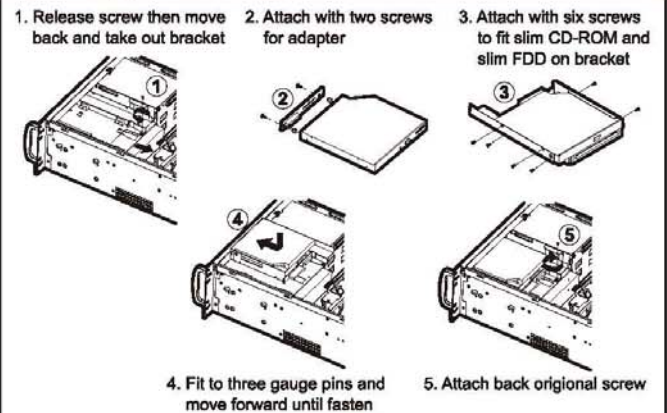
Major Components



Removing Fan Module & Installing Exhaust Fan, Power Supply

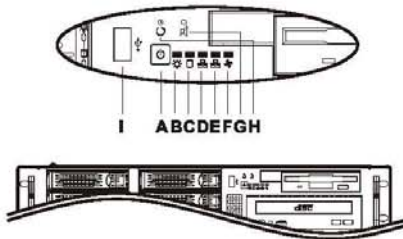


Installing Slim CD-ROM

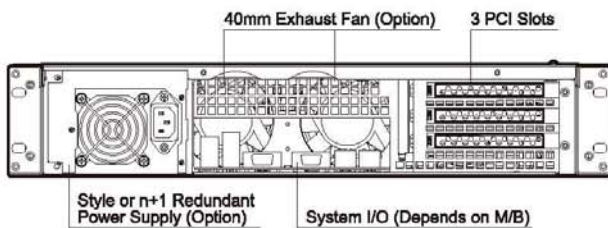


Front Panel Controls and Indicators

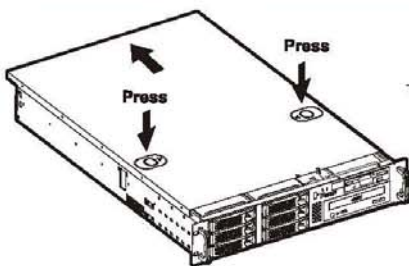
- A. Power Switch
- B. Power LED
- C. HDD Tray Activity LED
- D. LAN1 LED
- E. LAN2 LED
- F. FAN Fail LED
- G. Alarm Mute Button
- H. System Reset Button
- I. Front USB2.0 port



Rear Window Configuration

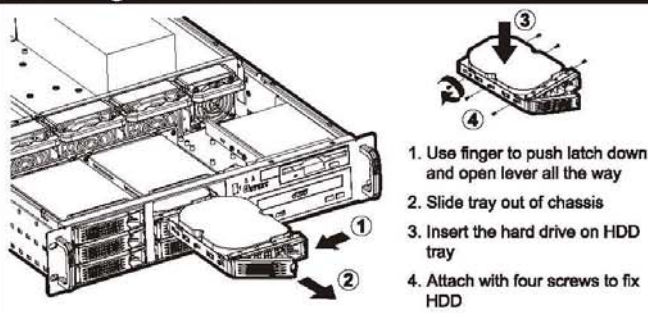


Top Cover Opening

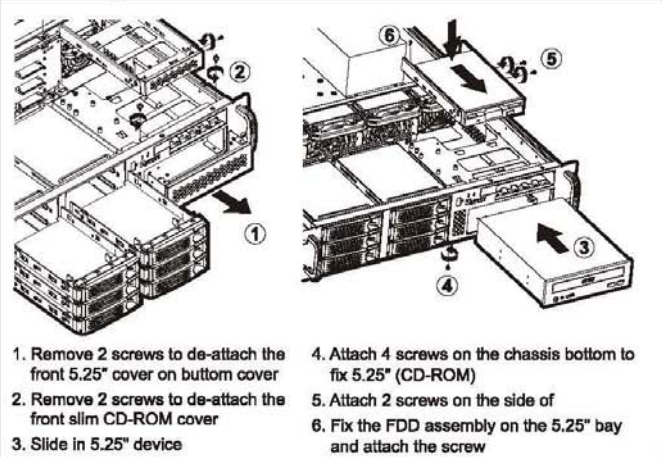


CAUTION
This unit must be operated with the chassis TOP COVER installed to ensure proper cooling

Installing Hard Drive



Installing 5.25" Device & 3.5" FDD



Installing Backplane Assembly

