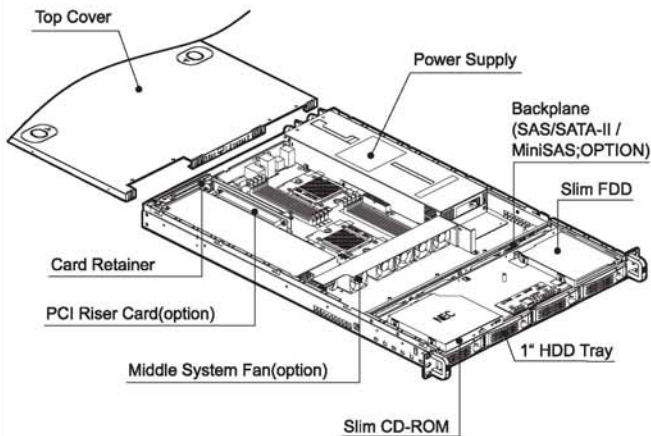


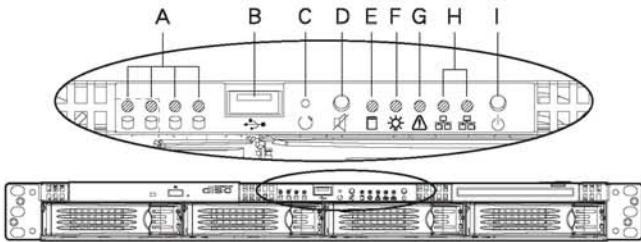
Chassis Quick Reference

Major Components

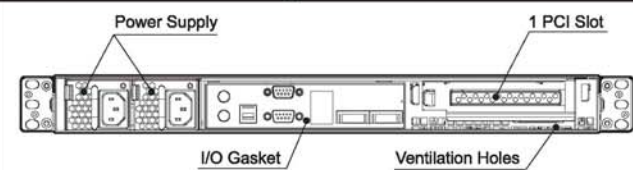


Front Panel Controls and Indicators

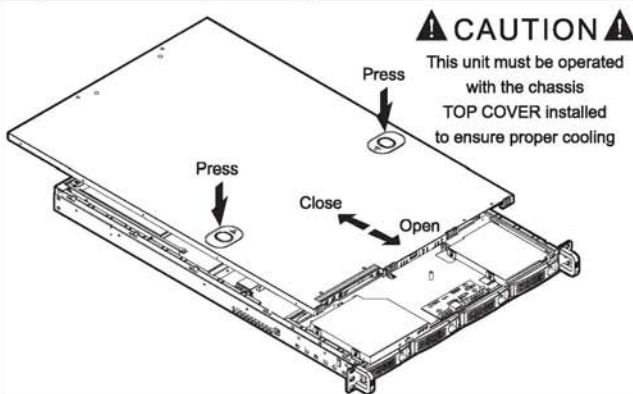
- | | | |
|--------------------------|----------------------|--------------------|
| A. HDD Tray Activity LED | D. Alarm Mute Button | G. Failure LED |
| B. USB Port | E. HDD Activity LED | H. LAN1 & LAN2 LED |
| C. System Reset Button | F. Power LED | I. Power Switch |



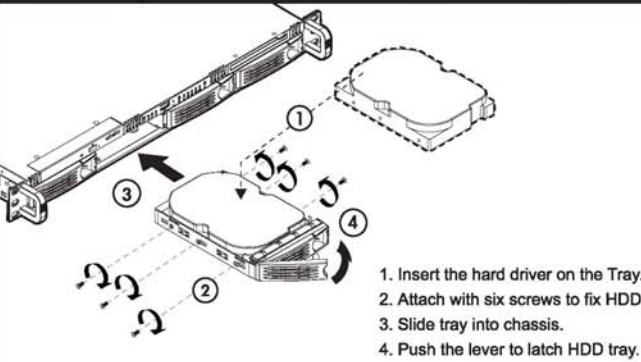
Rear Window Configuration



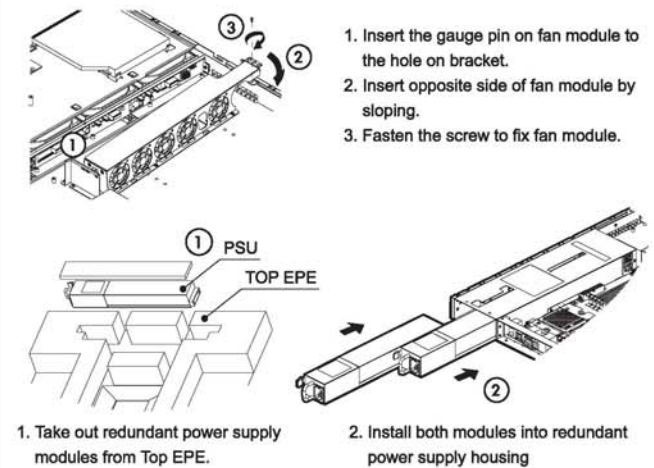
Top Cover Opening



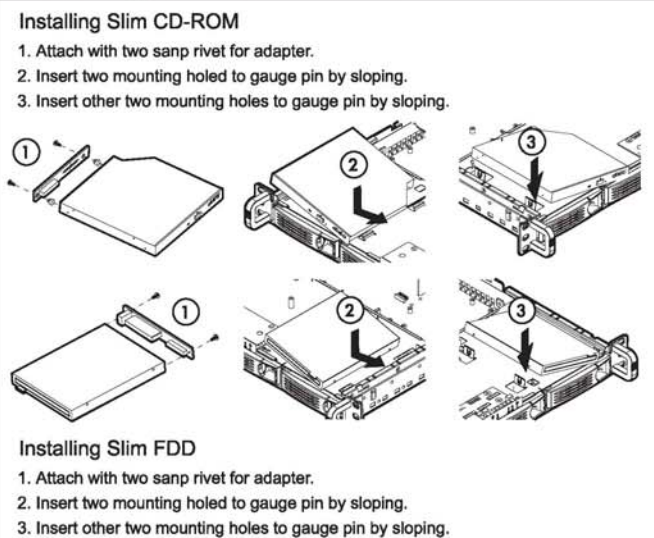
Installing Hard Drive



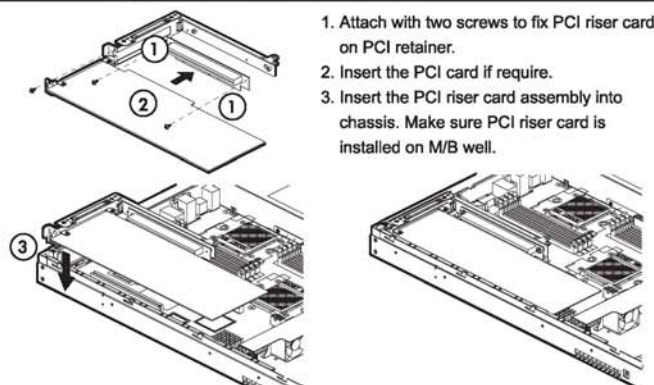
Installing Fan Module & Power Supply



Installing Slim CD-ROM & FDD



Installing PCI Riser Card



Installing Backplane Assembly

