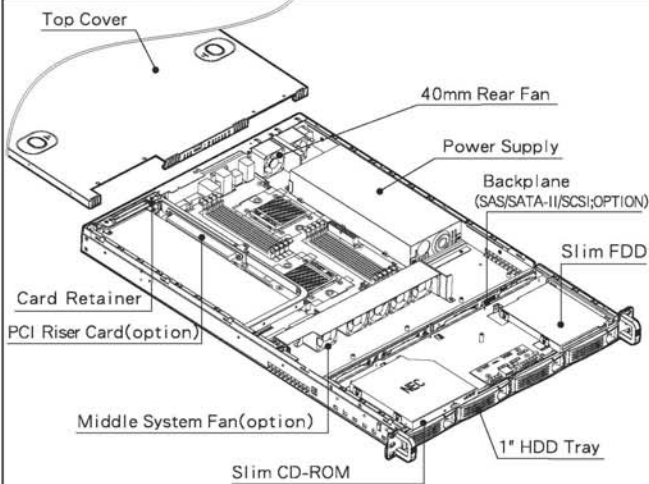
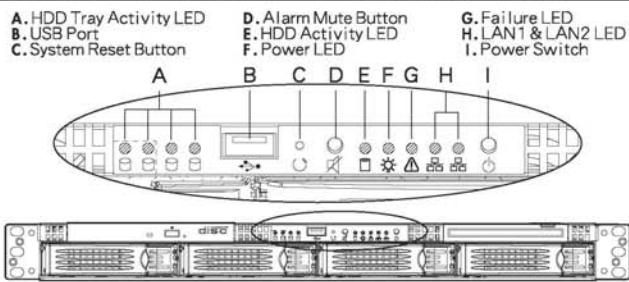


Chassis Quick Reference

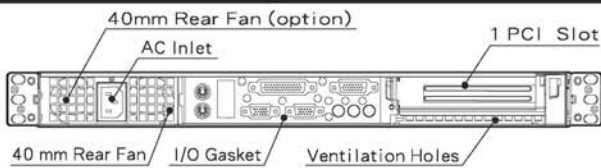
Major Components



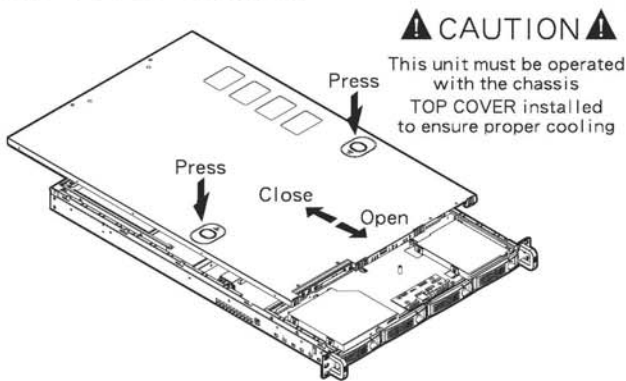
Front Panel Controls and Indicators



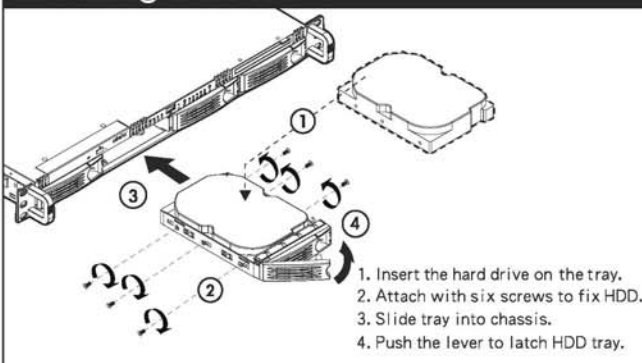
Rear Window Configuration



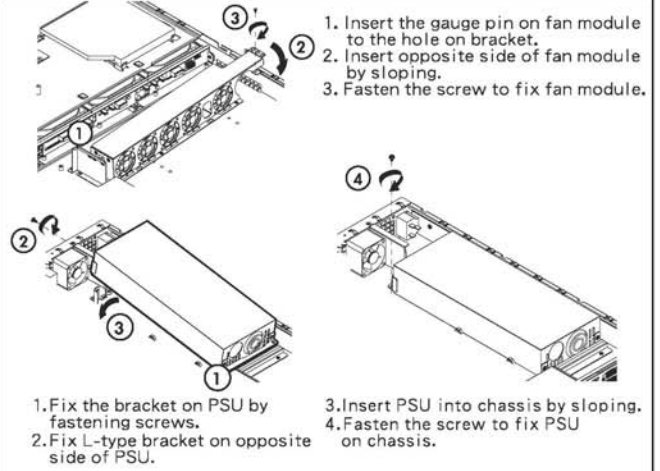
Top Cover Opening



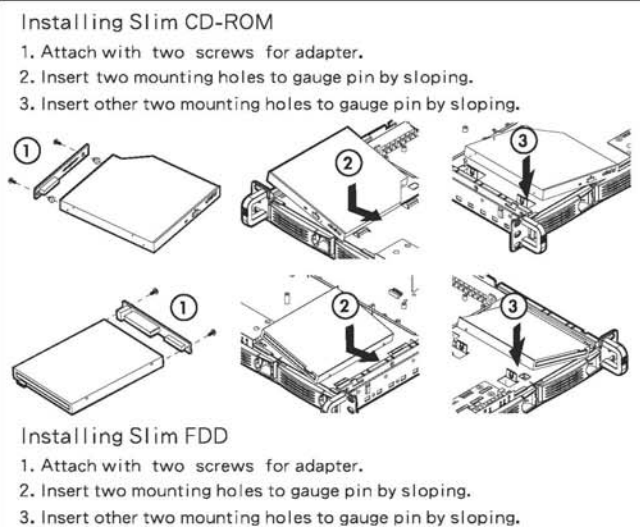
Installing Hard Drive



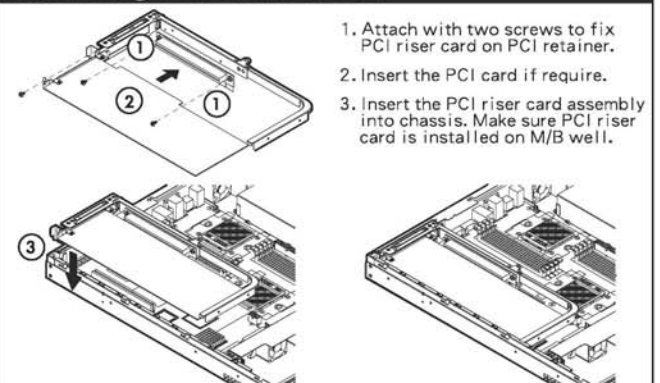
Installing Fan Module & Power Supply



Installing Slim CD-ROM & FDD



Installing PCI Riser Card



Installing Backplane Assembly

